

THIS DRAWING IS UNPUBLISHED.

RELEASED FOR PUBLICATION

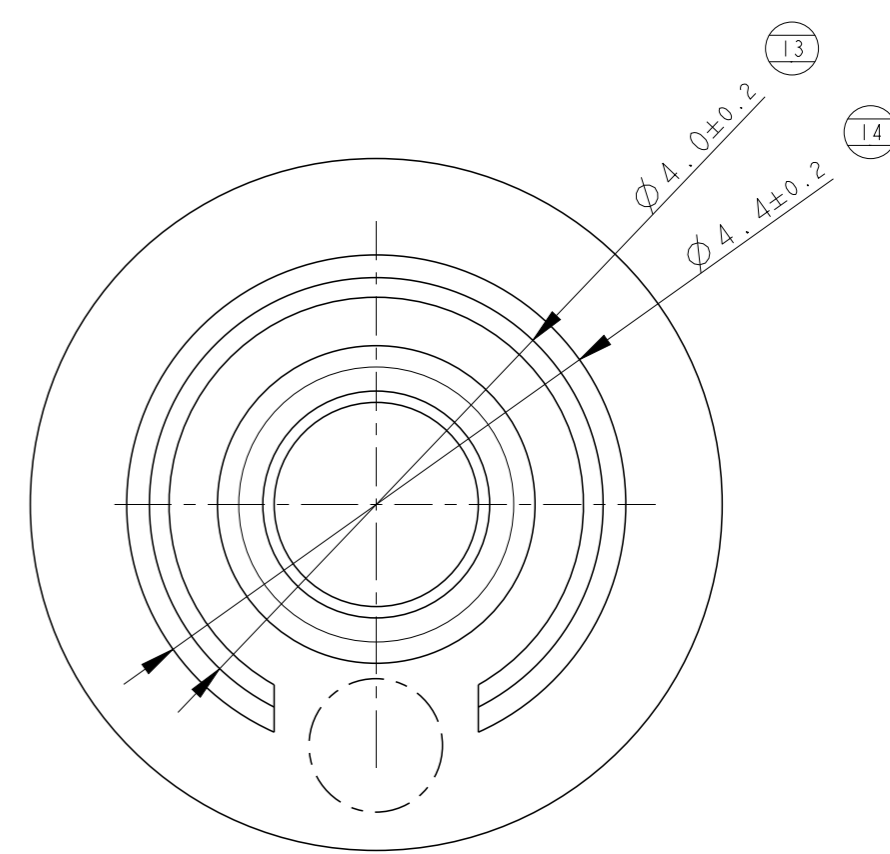
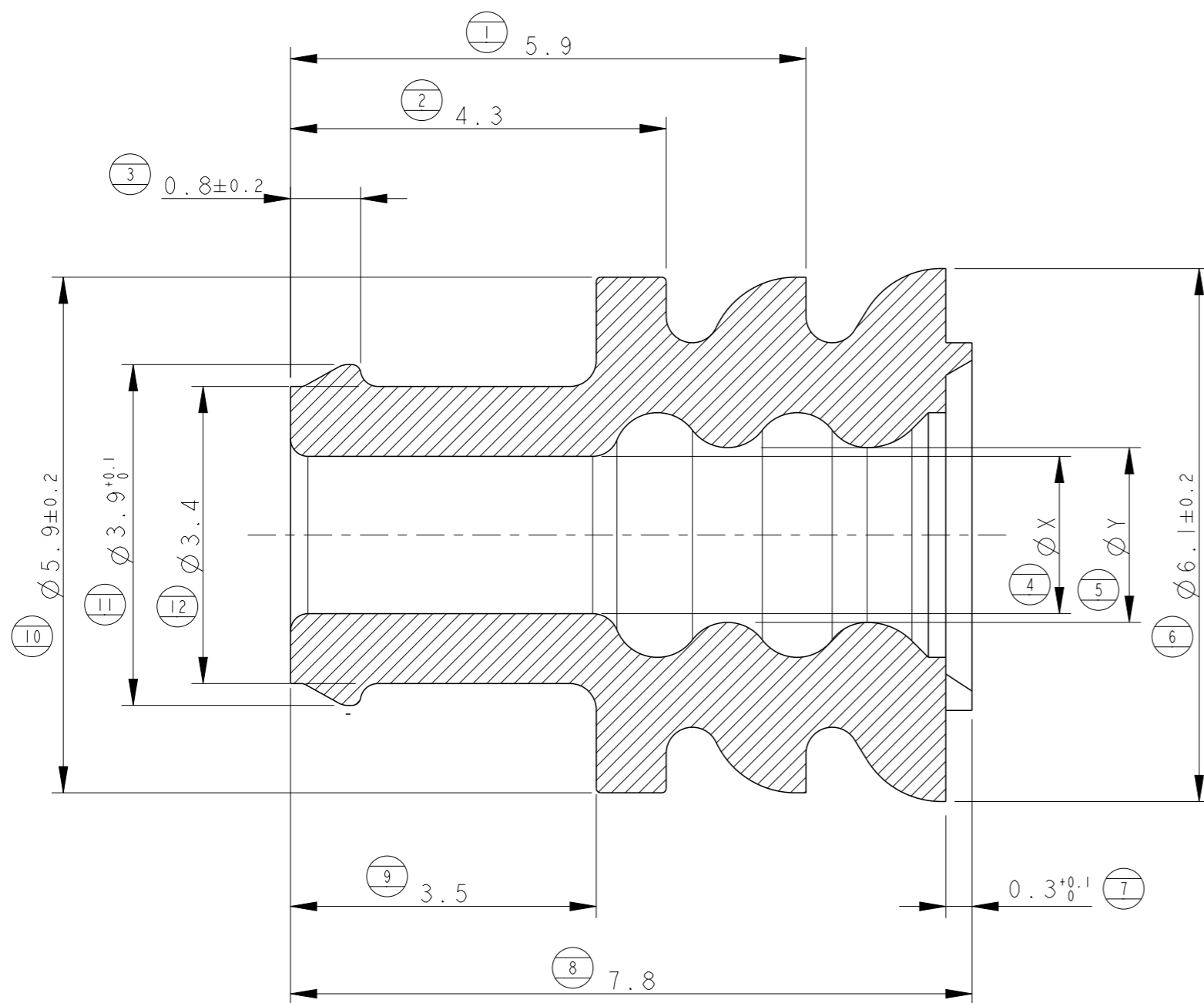
20

© COPYRIGHT 20 BY -

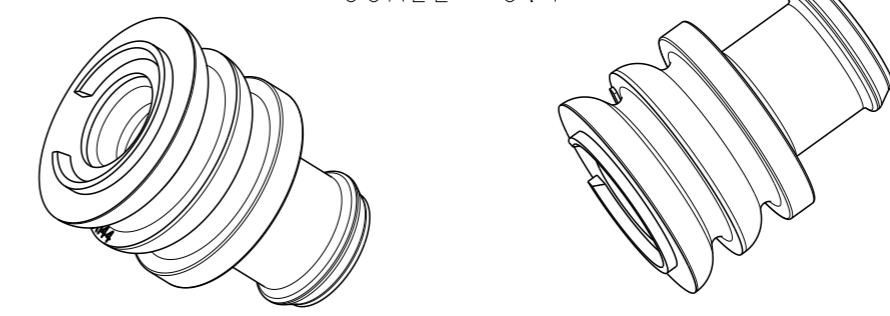
ALL RIGHTS RESERVED.

REVISIONS

| P | LTR | DESCRIPTION | DATE | DWN | APVD |
|---|-----|-------------------------|-----------|------|------|
| | H2 | REDRAWN (ECR-15-005089) | 09APR2015 | M.G. | M.G. |
| | | | | | |
| | | | | | |



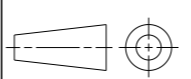
SCALE 5:1



| SUITABLE FOR INS. DIA | DIM. "Y" | DIM. "X" | COLOUR | MATERIAL | REV. | P/N |
|-----------------------|-----------|-----------|--------|----------------------------|------|----------|
| 1.2 - 1.6 | 1.0 ± 0.2 | 1.0 ± 0.2 | WHITE | FLUORSILICONE RUBBER (FSL) | H | 281934-5 |
| | | | GREEN | | H | 281934-4 |
| 2.5 - 3.3 | 2.0 ± 0.2 | 1.8 ± 0.2 | RED | SILICONE RUBBER (LSR) | H | 281934-3 |
| 1.7 - 2.4 | 1.4 ± 0.2 | 1.4 ± 0.2 | YELLOW | | H | 281934-2 |

THIS DRAWING IS A CONTROLLED DOCUMENT.


DIMENSIONS: mm



MATERIAL SEE TABLE

| TOLERANCES UNLESS OTHERWISE SPECIFIED: | |
|--|------|
| 0 PLC | ±0.3 |
| 1 PLC | ±0.3 |
| 2 PLC | ±- |
| 3 PLC | ±- |
| 4 PLC | ±- |
| ANGLES | ±2° |
| FINISH | - |

| | | |
|------------------|------------|--------|
| DWN | C. BERTINI | 12-'88 |
| CHK | A. BRUNI | 05-'92 |
| APVD | - | - |
| PRODUCT SPEC | - | - |
| APPLICATION SPEC | - | - |
| WEIGHT | - | - |
| Customer Drawing | | |

| | | | |
|---|----------|-----------------------|--------|
|  | | TE Connectivity | |
| | | NAME SINGLE WIRE SEAL | |
| SIZE | A3 | CAGE CODE | - |
| DRAWING NO | C-281934 | RESTRICTED TO | - |
| SCALE | 15:1 | SHEET | 1 OF 1 |
| REV | H2 | | |